



Billet & Bloom Caster

STRAIGHTENER Systems



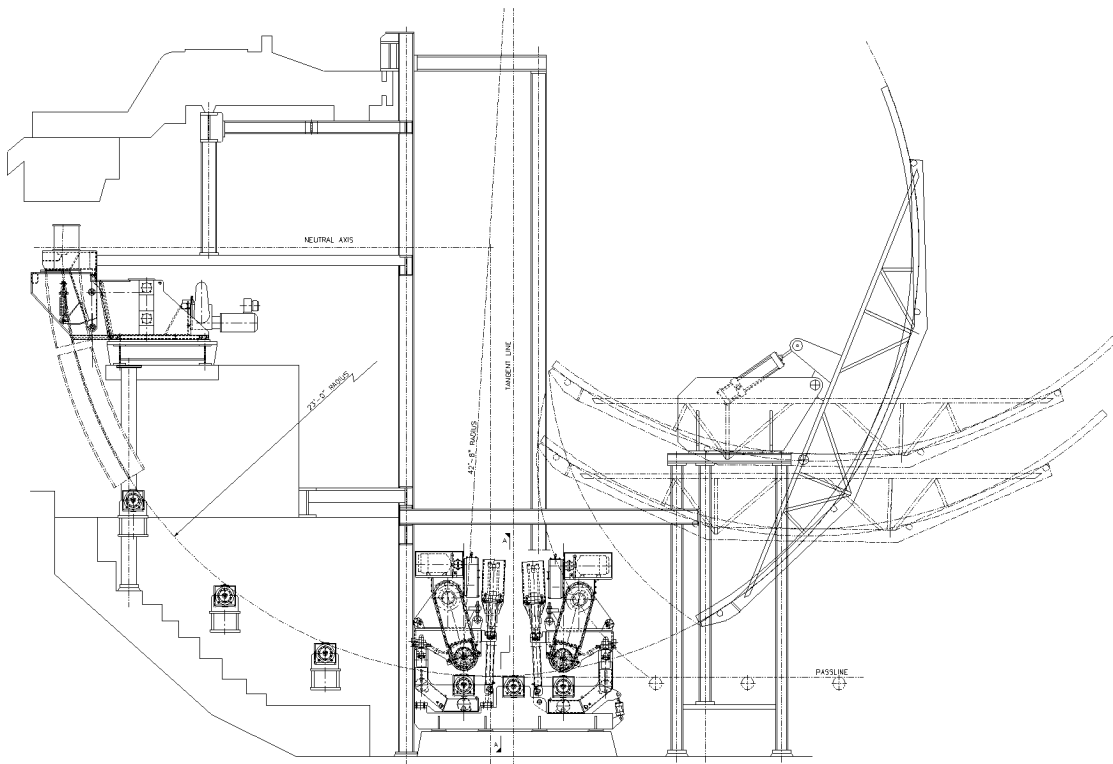
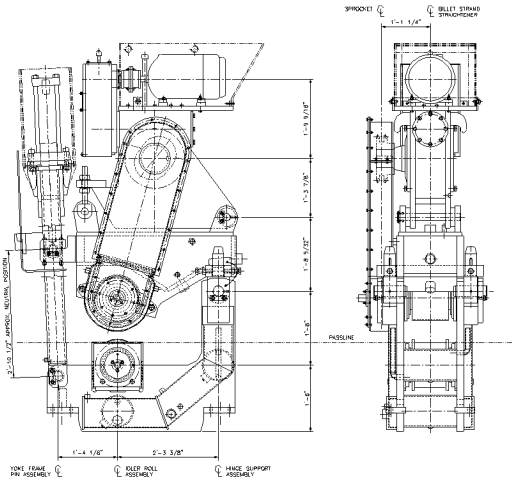
Single Point & Progressive Straightening Concepts

208 A Arvin Avenue, Stoney Creek, Ontario, Canada L8E 2L8 • (905) 662-5999 • Fax: (905) 662-2633

Billet & Bloom Casters :

STRAIGHTENER MODULE

- Modular Top Drive Concept.**
- Water Cooled Rolls & Bearings.**
- Water Cooled Frame & Cylinder.**
- Harden S/S Overlay on Rolls.**



Progressive Straightening with Rigid Starter Bar