



*Billet - Bloom - Slab Caster*

# **STOPPER ROD Systems**



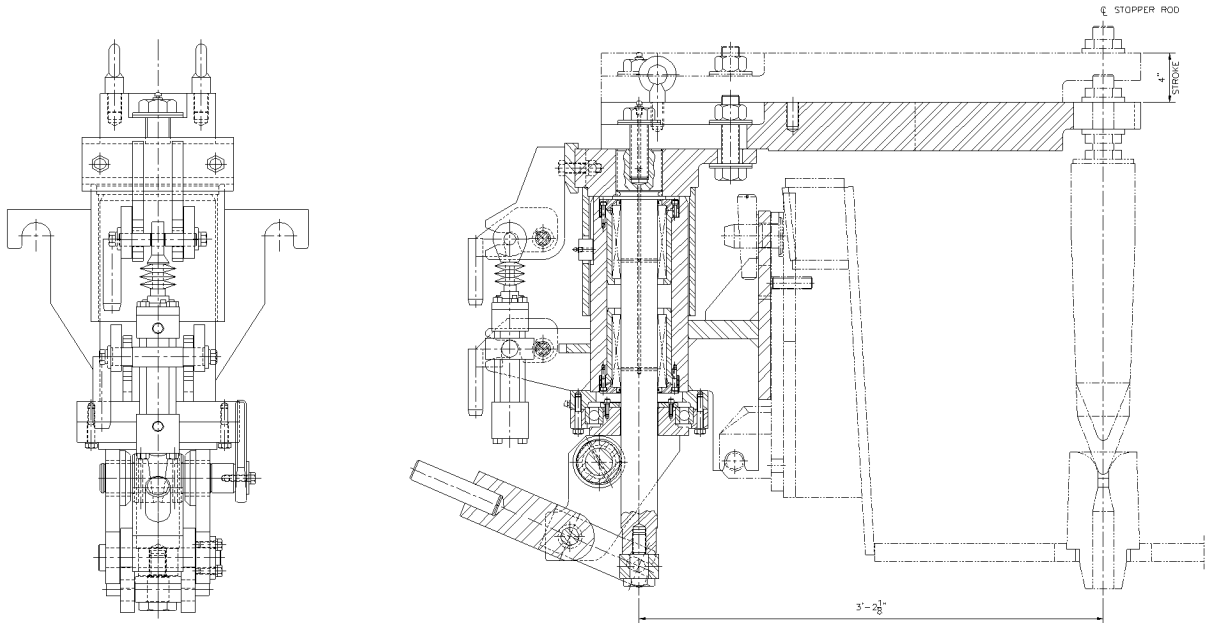
***Hydraulic or Electro-mechanical Systems for Automatic Start***

208 A Arvin Avenue, Stoney Creek, Ontario, Canada L8E 2L8 • (905) 662-5999 • Fax: (905) 662-2633

# *Tundish To Mould Flow Control*

*For*

*Billet - Bloom - Slab Casters*



## **STOPPER ROD DESIGN *Concept* :**

- **Modular Design** for quick removal and installation.
- **Linear Bearing** design provides precise & smooth motion.
- **Hydraulic & Electro-Mechanical Actuator** systems available.