



Steel Mill Duty

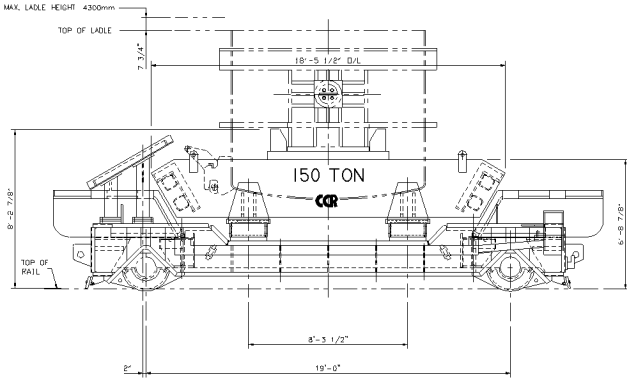
TRANSFER CARS



For all your applications :

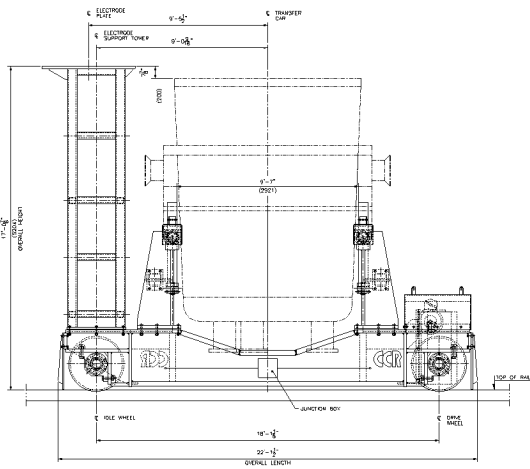
(Furnace Tapping / Scrap Handling / Casting Cars)

208 A Arvin Avenue, Stoney Creek, Ontario, Canada L8E 2L8 • (905) 662-5999 • Fax: (905) 662-2633



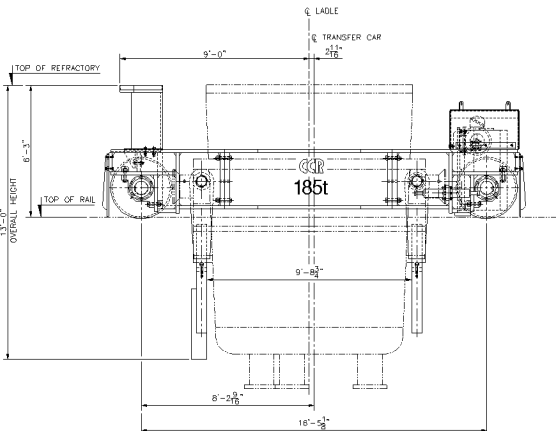
EBT Furnace Tapping Cars

- ~ Weighing Frame for rate pouring
- ~ Self Propelled A/C variable speed



Ladle Furnace Cars

- ~ Weighing Cradle for alloying
- ~ Self Propelled A/C variable speed



Caster Ladle Sequence Cars

- ~ Weighing Cradle for yield control
- ~ Self Propelled A/C variable speed
- ~ Overhead runway concept

Additional Products & Services :

BILLET WEIGHING
IF YOU HAVE A WEIGHT PROBLEM



Benefits :

- Modular Design
- Low Profile Concept
- Increased Caster Yield
- Level II & III Compatible


We specialize in complete Caster Modernizations

CALL (905) 318-3477 FAX (905) 319-2508
1300 Appleby Line, Burlington Ontario, CANADA L7L 6A1



Bulletin # 9620


CCR TECHNOLOGIES
Billet & Bloom Caster
STRAIGHTENER Systems



Single Point & Progressive Straightening Concepts

Bulletin # 9710

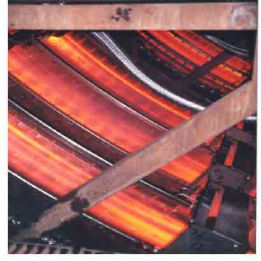
CCR TECHNOLOGIES
Billet & Bloom Caster
MOLD & HANDLING Systems



Available With In Mold EMS, 1st Zone Spray Ring & Foot Roads

Bulletin # 9950


CCR TECHNOLOGIES
Billet & Bloom Caster
SPRAY COOLING Systems



Intense Cooling Concept With Quick Connect Mounting

Bulletin # 9980


CCR TECHNOLOGIES
Steel Mill Duty
TRANSFER CARS



*For all your applications :
(Furnace Tapping / Scrap Handling / Casting Cars)*

Bulletin # 9740


CCR TECHNOLOGIES
Billet - Bloom - Slab Caster
STOPPER ROD Systems



Hydraulic or Electro-mechanical Systems for Automatic Start

Bulletin # 9870


CCR TECHNOLOGIES
Billet & Bloom Caster
MOLD LUBE Systems



Fully Automatic With Variable Flow Control

Bulletin # 9960


CCR TECHNOLOGIES
Slab Caster
TORCH CUT Systems



Dual & Single Burner Units for Carbon or Stainless Steel

Bulletin # 9990

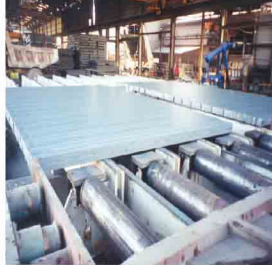
CCR TECHNOLOGIES
Tundish to Mould
Bellow Shroud Systems
For Cleaner Steel



Steel Mill Duty - Modular Design

Bulletin # 9930


CCR TECHNOLOGIES
Billet & Bloom Caster
COOLING BED Systems



Walking Beam & Skid Type Concepts

Bulletin # 9940

CCR TECHNOLOGIES
Billet & Bloom Caster
MOLD OSCILLATOR



Variable Stroke, Pneumatic Counter Balance, Short Arm Concept

Bulletin # 9970